

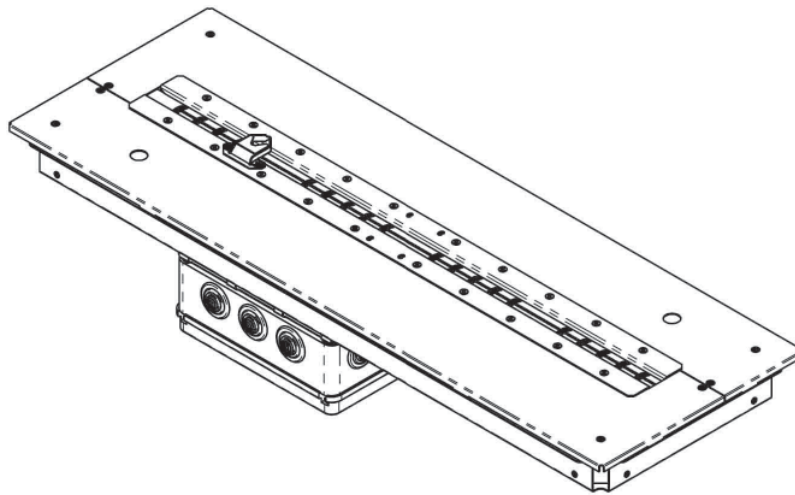
URBAN FIRES

THE WORLD'S BEST OUTDOOR FIREPLACES

Distributors of quality outdoor fireplaces
Manufacturers of bespoke outdoor fireplaces
Contemporary indoor fireplaces & flueing solutions

Installation and User Manual

UF95ORC & UF75ORC SIGNATURE Remote Control Outdoor Gas Fireplace burner
GB/IE edition



Important: Read these instruction carefully before commencing installation or use.

The remote handset is not weatherproof, it must be kept dry when not in use to maintain the warranty. BATTERIES NOT SUPPLIED. PP3 REQUIRED.

The appliance shall be installed in accordance with;

- This installation instruction booklet
- Local gas installation regulations and The Rules in Force
- BS 5440-1
- BS 5871-1:2005, BS 5871-3:2005 & BS 6891
- Any other relevant statutory regulations.
- Must be installed by a Registered Installer
- Converting this appliance for use with G31 Propane (LPG) must be done by a Registered Installer
- This appliance is for use on Natural Gas(G20) at a supply pressure of 20mbar or Propane(G31) at a supply pressure of 37mbar and Butane (G30) at 28-30mBar
- In IE, consult document I.S. 813:1996 Domestic Gas Installation.
- **DO NOT JETWASH THIS PRODUCT**

Urban Fires limited
A50, 8 Kew Bridge Road
London TW8 OFD
United Kingdom
Tel: +44 (0)207 183 1806
info@urbanfires.co.uk

WARNING:

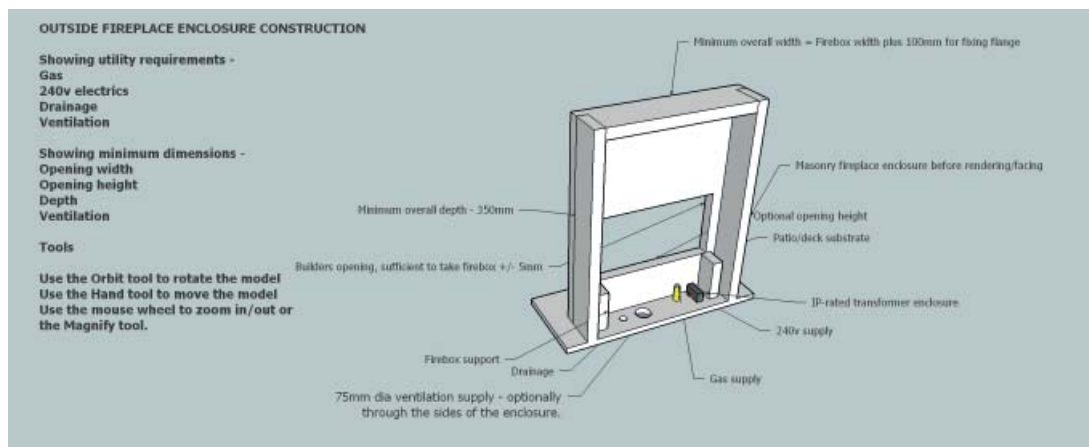
Children and adults should be alerted to the hazards of high surface temperatures, burns and clothing ignition.

Young children should be carefully supervised when they are in the area of the appliance.

Clothing or other flammable materials should not be hung from the appliance, or placed on or near the appliance.

Installation of appliances fitted to fixed gas supply systems and servicing/repair of all such appliances must be carried out by a qualified service person.

Outside gas burners require **ventilation from beneath and suitable drainage**. These services are built into Urban Fires fireboxes, firetables and firepits but site contractors must be aware that suitable ventilation to, and drainage from, any masonry construction is required to **prevent pooling of water within the enclosure** to avoid any build-up of condensation which may affect the electronics and which will in turn **invalidate the warranty**. If in doubt, create a fall towards the drainage point. Masonry should always be built with a DPC.



A qualified service person should inspect and service this product at least annually.
Contact Urban Fires for service on UK mainland or Ireland:

UK Mainland (Call Max) 07904 334619
Ireland (Call Norman)
North (+44) 7980 983708
South (+353) 1 4854325

Regular cleaning may be required in order to keep the control compartment, burners, pilot and circulating air passageways free & clean from garden debris.

This gas fireplace is for outdoor use only.

Contents

1.0 Product description.....	4
1.1 Product dimensions.....	4
1.2 Technical Data.....	5
2.0 Power Supply.....	6
2.1 Batteries.....	6
2.2 Normal Power Source.....	6
3.0 Creating the cutout.....	7
3.1 Burner cutout dimensions.....	7
3.2 Clearances to Combustibles.....	8
3.4 User Protection.....	8
4.0 Wall cladding around fire.....	8
5.0 Minimum installation height.....	8
6.0 Types of Installation.....	9
7.0 Corner Installations.....	10
8.0 Laying the Gas Supply.....	11
9.0 Connecting the supply to the burner....	11
10.0 Fixing the burner into the fireplace....	11
11.0 Connecting the Switch Panel.....	12
12.0 Testing of the power switch/ignition...	12
13.0 Placement of ceramic fire media.....	12
14.0 User Instructions.....	13/14/15
including pairing of the remote handset	
15.0 Maintenance and Cleaning.....	16
16.0 Fault finding.....	17
17.0 Burner Replacement Parts.....	18
18.0 Control Box replacement parts.....	19
19.0 LPG conversion instructions.....	20/21

NOTE

**This appliance is factory-set for use on Natural Gas (NG) in the UK & Ireland (G20).
If LPG conversion is required (Page 20) it should be undertaken before the burner
is placed into a masonry enclosure, firepit or firetable.
Installation of the LPG kit should only be undertaken by a qualified person.**

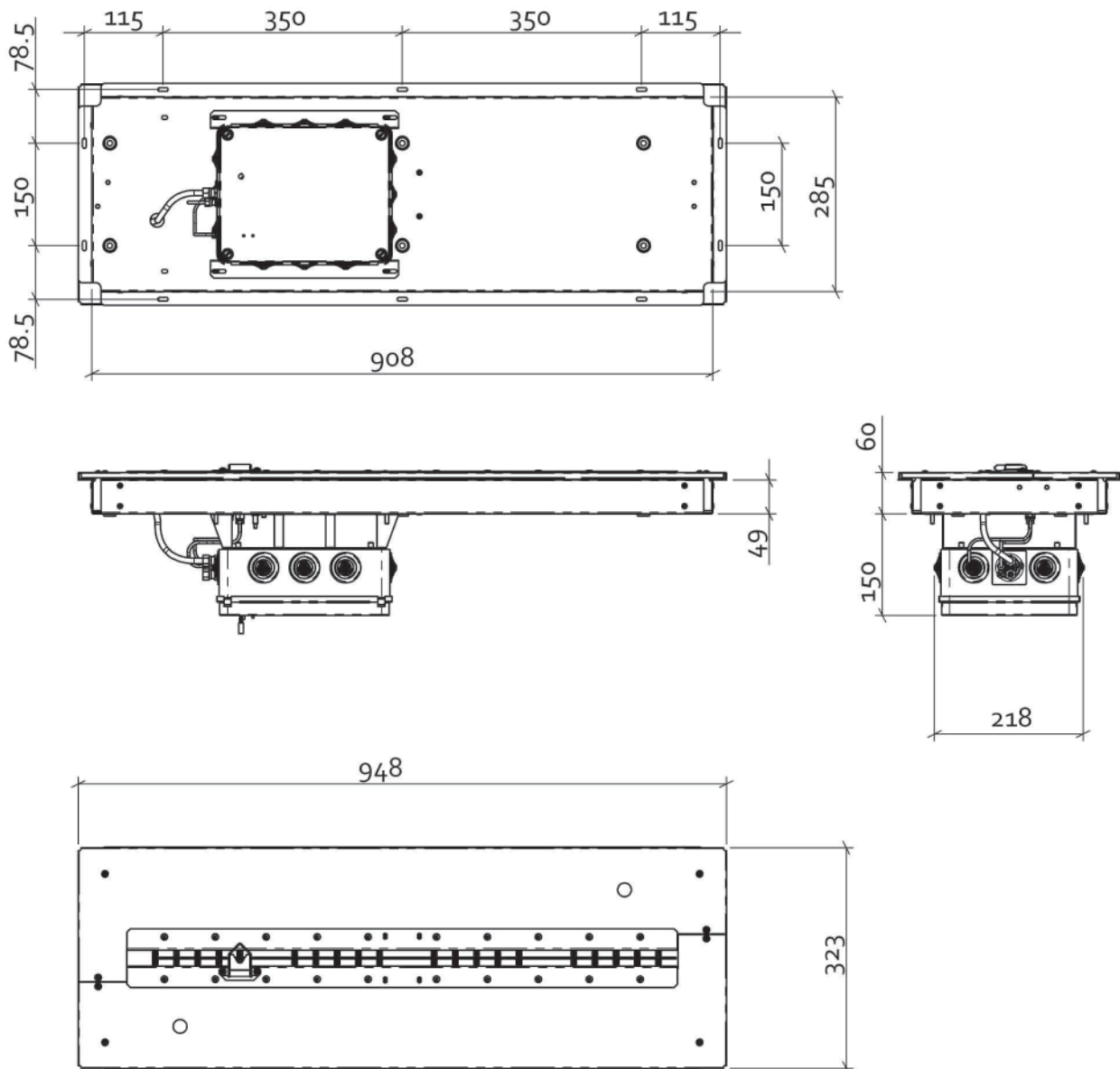
1.0 Product Description:

The UF95ORC and UF75ORC Signature gas fires are designed for outdoor use only. This appliance requires no flue and must be permanently installed into an incombustible masonry cavity, firebox, firepit or firetable (see www.urbanfires.co.uk).

The fire is operated by a remote handset. The handset controls a series of electronic circuits to operate (1) the ignition sequence, (2) up/down control of flame height and (3) to turn OFF the appliance.

The Data Label, containing all technical information such as serial number, gas type, Injector marking, etc, can be found attached to the control box under the burner.

UF95ORC product dimensions: (mm). (The UF75ORC will be available later in 2018).



1.2 Technical Data:

Please note that this appliance is for decorative purposes. You cannot cook on this appliance.

Natural

Gas Category	I2H	I2E	I2E+	I2ELL	I2L
Gas	G20	G20	G20/G25	G25	G25
Supply Pressure (mbar)	20	20	20/25	20	25
Heat Input (Gross kW)	15	15	15	14	15
Gas Rate (max. m ³ /hr)	1.3	1.3	1.3/1.4	1.3	1.40
Countries Of Destination	AT,BG,CH,DK ES,FI,GB,GR HR,IE,IT,LT SE,SI,SK,TR	DE,LU,PL	BE,FR	DE	NL
Injector marking	1200				
Pilot Burner	446.1385.24				

Propane / Butane

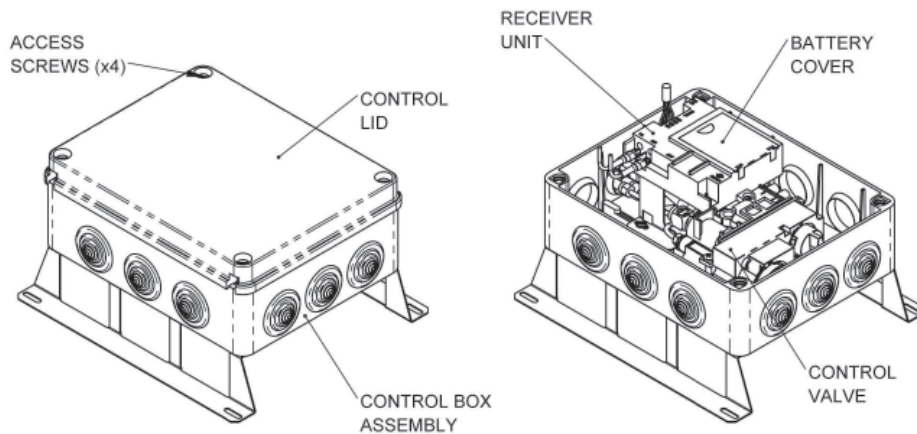
Gas Category	I3P			I3B/P
Gas	G31			G30
Supply Pressure (mbar)	30	37	50*	28/29
Heat Input (Gross kW)	14	16	16	16
Gas Rate (max. m ³ /hr)	0.622	0.695	0.695	0.578
Burner Pressure (hot mbar)	29	36	36	28
Countries Of Destination	DK,FI NL,NO SE	AT,BE,CH,CZ DE,ES,FR,GB IE,IT,NL,PT SK,TR	AT,DE GR,LU NL	BG,DK,EE,FI GB,GR,HU,HR IT,LT,MT,NL NO,RO,SE,SI SK,TR
Injector marking	380	380		380
Pilot Burner	446.1385.44			

* Note - for Propane the Burner pressure, on full, must be set to the indicated pressure for all supply conditions.

CE APPROVED 0359/15



2.0 Power Supply for ignition:



This appliance should only be operated by the 6v transformer supplied, from a 240v supply.

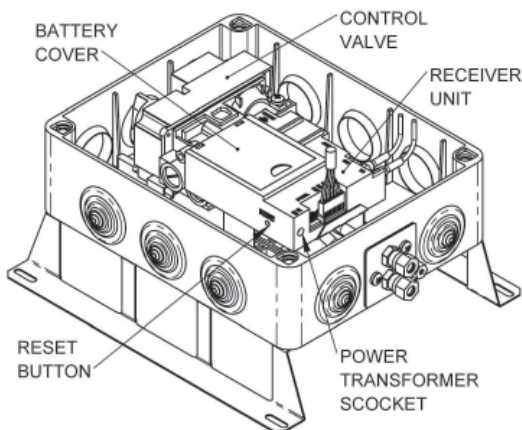
In an emergency, such as a power or transformer failure, 4 x AA size batteries can be used for ignition. These can be located into the Receiver Unit inside the control box under the IP-rated cover but MUST NOT be used at the same time as transformer power.

2.1 Installing Batteries:

To install batteries, the complete burner assembly must be lifted out from its housing (i.e firebox, firetable, etc). The gas supply is connected via a flexible supply hose. Remove the control lid cover to gain access to the Receiver Unit pictured above. To remove the cover of the Receiver Unit itself pull the cover back. Ensure the batteries are placed in the correct orientation. Disconnect the transformer.

Once batteries have been placed inside, replace the cover and seal the IP-rated Control Box assembly

2.2 Normal Power Source: (Supplied transformer)



To connect the UF950RC to 240v mains electricity instead of using batteries for ignition, you should do so using the transformer supplied.

Route the transformer cable through the side of the housing via one of the bungs supplied to protect against moisture damage. The bung will need to be punctured to enable this. Remove the batteries and connect the transformer to the fire by plugging the connector of the transformer into the Receiver Unit.

Use some silicon to seal the bung where the cable passes through the bung.

The transformer will require a 240v supply and a standard 3-pin socket and MUST BE contained within a suitable IP-rated waterproof enclosure. (Not supplied).

Here are details of a suitable enclosure:

<http://www.tlc-direct.co.uk/Products/GWBX645.html>

You will need the following components:

- GWBX645 150 x 110 x 140mm IP56 Moulded Box
- EK241B 13mm Nylon Compression Gland Black for Cable 5-7mm
- EK79B 13mm Nylon Lock Ring - Black

3.0 Creating a cutout for masonry, a firepit or a firetable top:

The dimensioned drawing below shows the size of opening that **MUST BE** created to install the standard UF95ORC unit safely into masonry.

Larger, made-to-measure burner trays can be provided by Urban Fires.

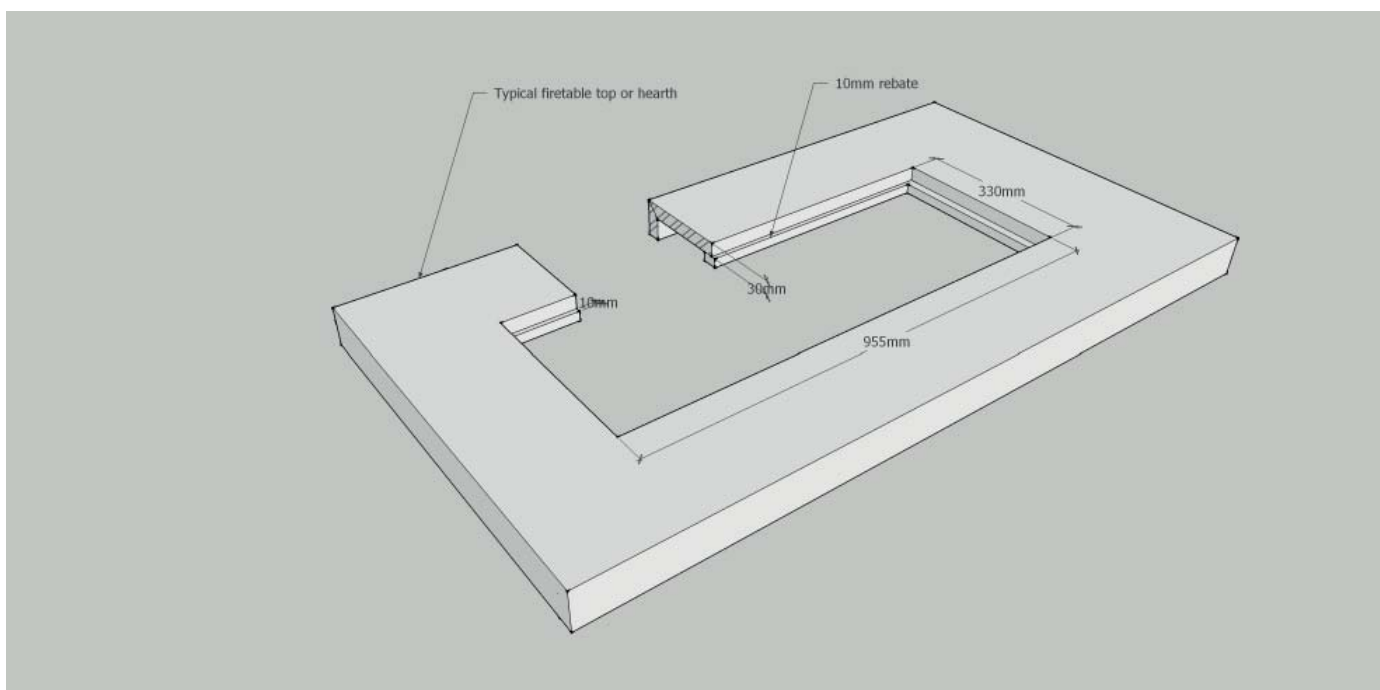
Fireboxes supplied by Urban Fires will be made with a suitable burner tray and rebated cutout.

3.1 Burner cut-out dimensions:

The objective is to provide a 10mm rebate to support the burner around its periphery.

The overall height of the space below the burner location must be at least 300mm.

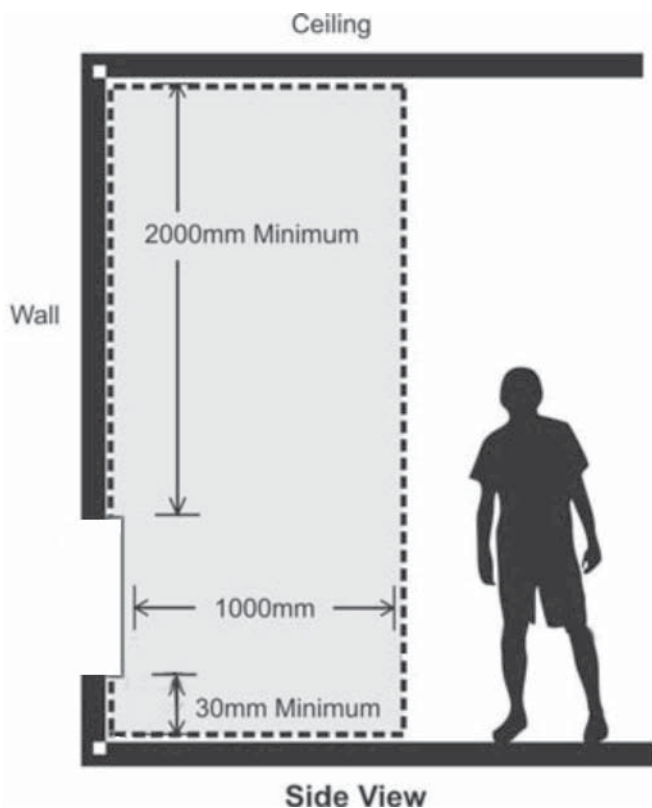
The burner space should have an overall height of 270mm (from the top surface) to allow for gas/240v connections beneath.



3.2 Clearances to Combustibles:

Minimum clearance distance between a combustible ceiling and the firebox or burner must be no less than 2000mm

WARNING: Under no circumstances should any object such as people, pets, furniture, clothing etc be closer than 1000mm in front of the fireplace.



4.0 Wall cladding around fire:

4.1 The temperature of the wall directly above the heater does get hot and hence may discolour certain exterior paint finishes.

4.2 Some exhaust stains may also become visible directly above the fire due to exhaust of products of combustion. In this mainly unlikely event, stains can be cleaned off with water, detergent and a brush. LPG operation is more likely to stain due to the composition of the gas itself.

5.0 Minimum installation height:

The UF950RC outdoor gas burner assembly has ventilation gaps at the top and bottom. These must not be blocked, so ensure there is a gap of at least 30mm between the base of the top surface and anything below.

6.0 Types of Installation:

This appliance shall only be used in an above ground open-air situation with natural ventilation, without stagnant areas, where any gas leakage or products of combustion are rapidly dispersed by wind and/or natural convection.

Certain materials or items, when placed under or near the appliance, will be subjected to radiant heat and could become damaged. The following installation diagrams are Urban Fires recommendations. Please check with your local authority for any alternative building standards. Typically an outdoor space is not enclosed, but any enclosure in which the appliance is used should comply with one of the following:

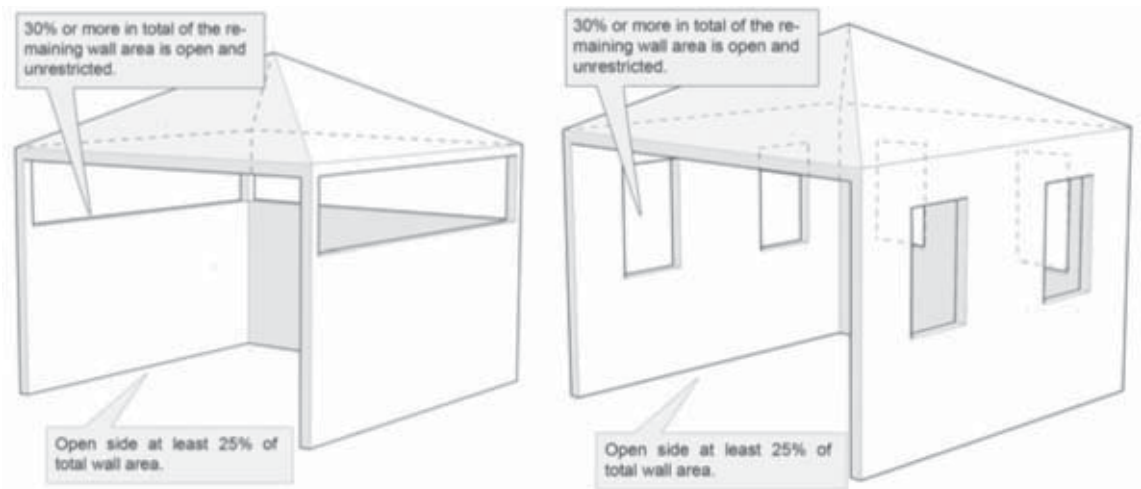
6.1 An enclosure with walls on all sides, but at least one permanent opening at ground level and no overhead cover (below).



6.2 Within a partial enclosure (below) that includes an overhead cover and more than two walls, the following should apply:

(1) At least 25% of the total wall area is completely open AND

(2) at least 30% of the remaining wall area is open and unrestricted



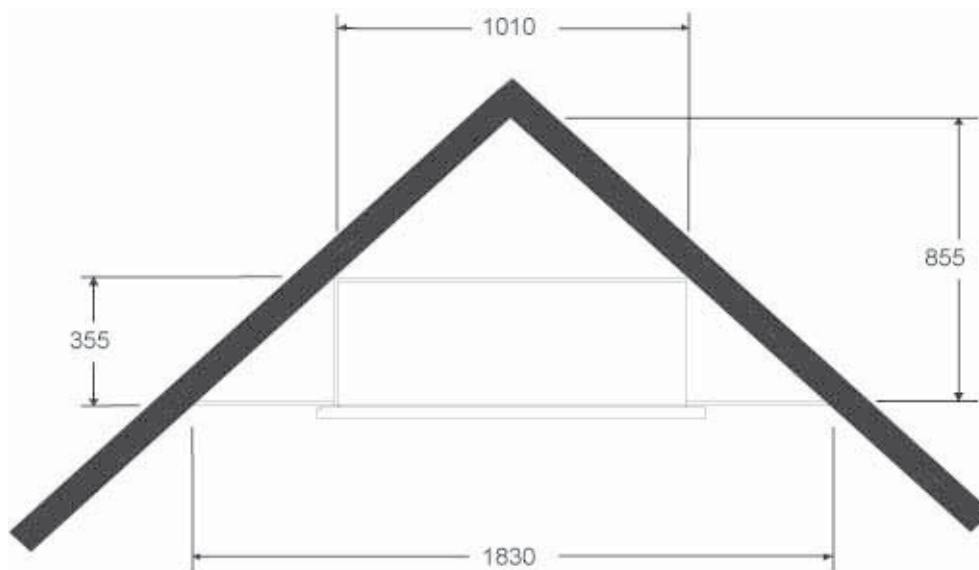
6.3 Rectangular areas have been used in the above diagrams for illustrative purposes; the same principles apply to any other shaped area. In the case of balconies, at least 20% of the total wall area should be and remain open and unrestricted in use.

7.0 Corner Installations:

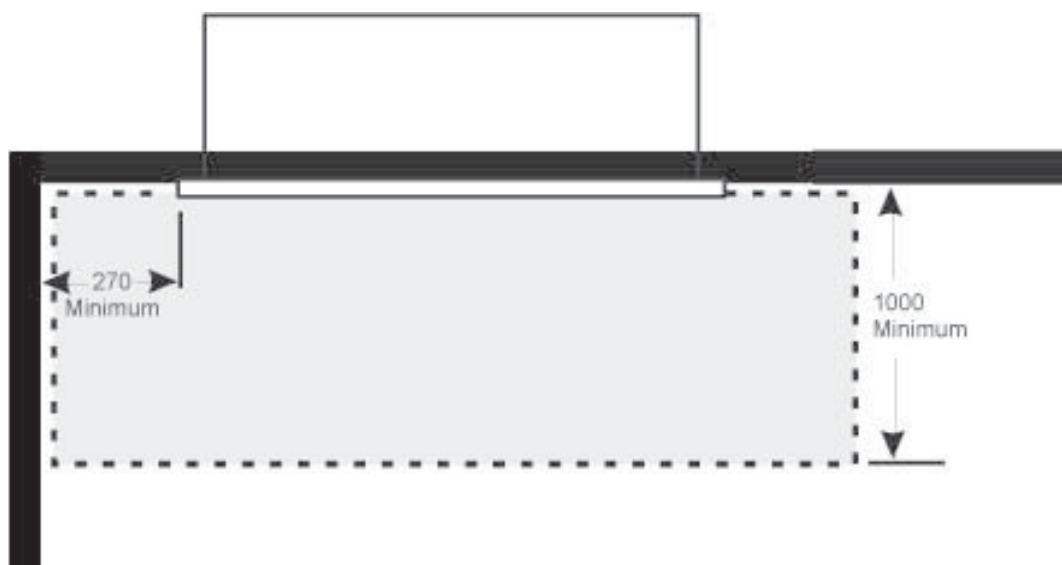
7.1 If a cavity (fireplace opening) is to be created in a corner, the following drawings give the minimum sized interior wall dimensions possible.

7.2 Allowances should be made for cladding the internal sides of the cavity.

7.3 Dimensions of the cavity in this diagram represent the internal size only.



7.4 Minimum clearance distance between adjacent wall and burner should be not less than 270mm.



8.0 Laying the Gas Supply:

8.1 Gas supply pipe should be sized as per the requirements of BS 6896. The pipe sizing must be sufficient to deliver the volume of gas to the outdoor gas burner with all other gas appliances in the home operating from the same meter, running at the same time.

8.2 It is highly recommended to install an easily accessible isolating shut off valve along the gas line to the Urban Fire appliance, which should be easily accessible to the user.

8.3 The gas supply should be properly located away from pathways or areas where the hose may be subject to accidental damage. If in doubt use Tracpipe.

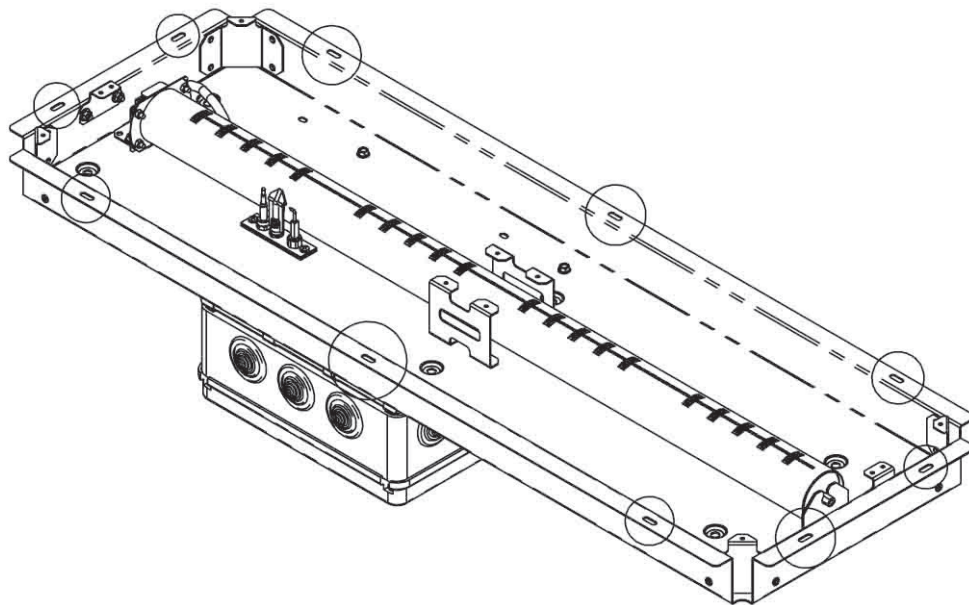
9.0 Connecting the Gas Supply to the UF95ORC outdoor gas burner:

9.1 A flexible stainless steel gas supply tube is fitted with 8mm compression fitting termination, supplied with this fire. Connect the incoming gas supply directly to the 8mm fitting. Check gas tightness.

9.2 An accessible inline isolation or service valve should also be fitted.

10.0 Fixing the fire into a masonry enclosure, firetable or fireplait:

The burner must fit - and sit securely - into a burner tray or rebated masonry (see Section 3.0 Cutout) and does not need to be permanently fixed, since it should be easily removable for servicing.



11.O Connecting the optional Touch Control Panel:

This option is no longer available and is replaced completely by the operation of the Remote Control handset as standard.

12.O Testing of the power switch and spark ignition:

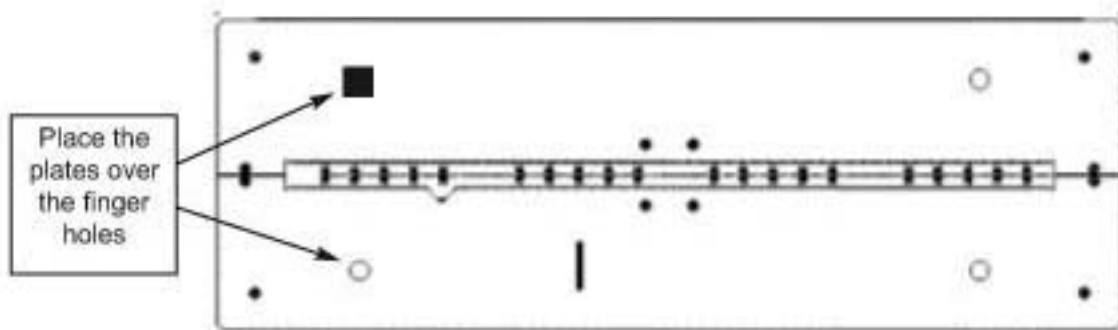
IMPORTANT: Before the operating pressure can be checked, the power switch and spark ignition must be tested.

12.1 This can be done with the gas supply either turned on or off.

12.2 Run through the steps for igniting the pilot (refer to section 14.O for operating instructions).

13.O Placement of the Crystalight moulded ceramic glass gas fire media:

13.1 Two (or four) 30mm x 30mm stainless steel plates are supplied to cover the finger holes before placing the Crystalight gas media over the burner tray. These plates are supplied within the bubblewrap packaging or in a separate polythene bag.



TIP: Use the finger holes to easily remove the burner assembly from the masonry cutout or burner tray.

13.2 Urban Fires Crystalight gas media should be evenly spread in ONE LAYER. Do not heap or mound the fuel bed media. Attempt to get an even spread across the top of the burner. Do not allow media to enter the pilot guard or pilot assembly.

13.3 Ensure the pilot flame is left clear and unimpinged by the Crystalight gas media.



14.0 User Instructions

If the UF95ORC burner system is exposed to weather directly from above (for example, in a firepit or a firetable) INSTALLER you must advise the end user that a Weathercover to protect the burner and pilot is essential to the correct long term operation of the appliance. **This component should be used whenever the fire is not in use. Failure to do so will void the warranty.**

Urban Fires can provide a burner weathercover to order.

To fit the optional weathercover ensure the fire is off and cooled.

The fire MUST NOT be operated while the cover is fitted.

The cover MUST NOT be fitted while the fire is hot. A cooling period of 20-30 minutes should be observed before replacing the weathercover.

Objects such as wood, coal, charcoal, fire logs or any other solid fuels MUST NOT be burnt on the outdoor gas burner. Cigarettes or other materials should not be thrown into the fire.

Under no circumstances should any part of your body enter the gas fireplace during start-up or whilst the fire is running.

Operation of the remote handset. First, install a good quality PP3 battery (not supplied) by removing the back cover.



14.00 User instructions continued

Installer! Ensure the MANUAL knob on the Mertik GV60 gas control valve is turned to ON (full counter-clockwise position) and (if supplied) the ON/OFF switch is switched the ON position.

TO TURN ON APPLIANCE

Handset



- Simultaneously press the OFF and (large flame) buttons until a short beep confirms the start sequence has begun; release buttons.
- Continuing beeps confirm the ignition is in process.
- Once pilot ignition is confirmed, there is main gas flow.
- After main burner ignition the handset will automatically go into manual mode.

▲ WARNING

When pilot ignition is confirmed, motor turns automatically to maximum flame height.

STANDBY MODE (Pilot Flame)

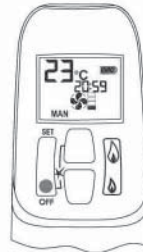
Handset

- Press and hold (small flame) to set appliance at pilot flame.

TO TURN OFF APPLIANCE

Handset

- Press OFF button.



FLAME HEIGHT ADJUSTMENT

Handset

- In standby mode: Press and hold (large flame) button to increase flame height.



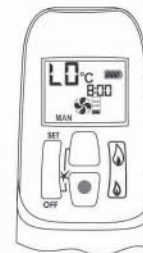
- Press and hold (small flame) button to decrease flame height or to set appliance at pilot flame.
- For fine adjustment tap the (large flame) or (small flame) buttons.



Designated Low Fire and High Fire

- Double-click (small flame) button. "LO" will be displayed.

NOTE: Flame goes to high fire first before going to designated low fire.



- Double-click (large flame) button. Flame automatically goes to high fire. "HI" will be displayed.



When the Burner is extinguished, it must be left for a few minutes before re-ignition is attempted. This is a safety feature that cannot be overridden.

Pairing the remote handset.

GENERAL NOTES

Radio Frequency Handset

433.92 MHz for Europe; 315 MHz for U.S. (FCC ID: RTD-G6R) and for Canada (IC: 4943A-G6R).

This device complies with part 15 of the FCC Rules. Operation is subject to the following two conditions: (1) This device may not cause harmful interference, and (2) This device must accept any interference received, including interference that may cause undesired operation. Changes or modifications not expressly approved by the party responsible for compliance could void the user's authority to operate the equipment.

NOTICE

Wiring of valve and receiver must be completed before starting ignition. Failure to do so could damage the electronics.

Batteries – Handset

- 1 x 9V (quality alkaline recommended).
- Low battery indicator on handsets with display.
- Handsets without display: the red LED gets darker.
- Battery replacement is recommended after 2 years.

Batteries – Receiver

- 4 x 1.5V "AA" (quality alkaline recommended).
- Low battery indication: frequent beeps for 3 seconds when motor turns.
- An AC Mains Adapter may be used instead of batteries.

NOTICE

Only the Mertik Maxitrol AC Mains Adapter or one preapproved by Mertik Maxitrol can be used. Use of other adaptors can render the system inoperable.

- The module for fan speed control and light/dimmer includes mains power together with batteries in the receiver for automatic backup in case of power outage.
- Without using a mains adapter, battery replacement is recommended at the beginning of each heating season.

NOTICE

The handsets, receivers, wall switches, switch panels and touch pads are not interchangeable with previous electronics (see figure 21).




Figure 21: Previous Handset

SETTING THE ELECTRONICS CODE

(First time use only.)

Radio Frequency Handset

A code is selected automatically for all Mertik Maxitrol electronics from among 65,000 random codes available. The receiver has to learn the code of the handset:

- Press and hold the receiver's reset button (see figure 22) until you hear two (2) beeps. The first beep is short and the second beep is long. After the second beep, release the reset button.
- Within the subsequent 20 seconds press the  (small flame) button on the handset until you hear two additional short beeps confirming the code is set. If you hear one long beep, this indicates the code learning sequence has failed or the wiring is incorrect.

NOTE: This is a one time setting only, and is not required after changing the batteries of the handset or receiver.



Figure 22: Receiver Reset Button

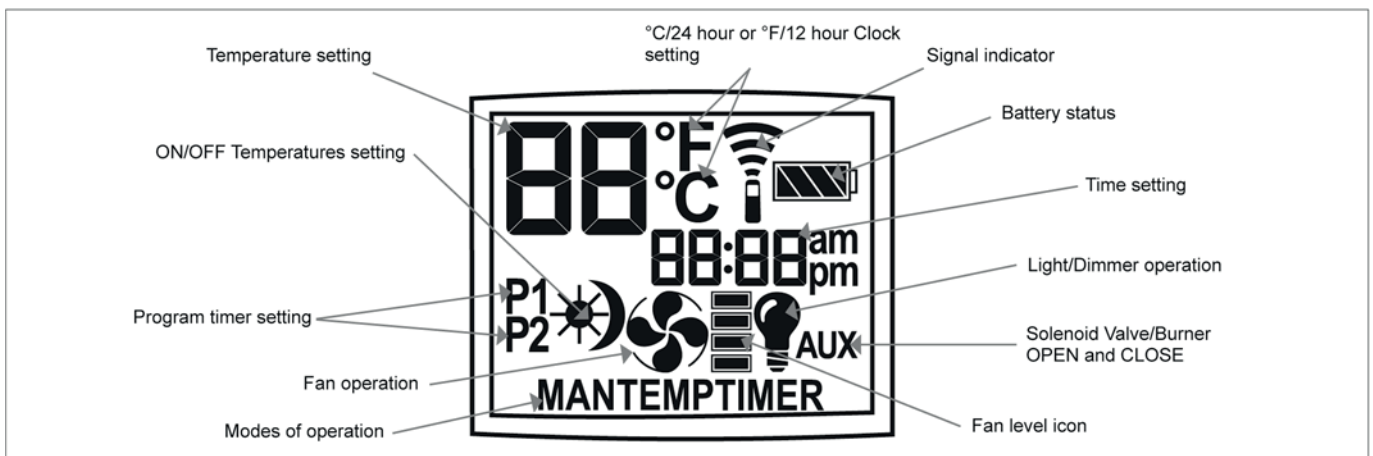


Figure 20

OTHER IMPORTANT USER NOTES:

14.1 If the UF95ORC burner system is exposed to weather directly from above (for example, in a firepit or firetable) a burner weathercover to protect the burner and pilot is essential to the correct operation of the appliance.

NOTE: This component should be used whenever the fire is not in use. Failure to do so will void the warranty.

14.2 Urban Fires can provide a bespoke weathercover to order.

14.3 To fit the optional weathercover ensure the fire is off and cooled.

14.4 The fire MUST NOT be operated while the cover is fitted.

14.5 The cover MUST NOT be fitted while the fire is hot. A cooling period of 30 minutes should be observed before replacing the weathercover.

14.6 Objects such as wood, coal, charcoal, fire logs or any other solid fuels shall not be burnt in the gas fire-place. Cigarettes should not be thrown into the fire.

14.7 Under no circumstances should any part of your body enter the gas fireplace during start-up or whilst the fire is running.

14.8 The Crystalight ceramic glass gas media should be evenly spread in ONE LAYER. Do not heap or mound the gas media. Attempt to get an even spread across the top of the burner. Do not allow the media to enter the pilot light assembly at any time as this can cause failure of the ignition system.

15.0 Maintenance and Cleaning

15.1 The complete unit must be cold before starting any form of maintenance or cleaning. To remove the gas media (Crystalight, ceramic pebbles, etc) reverse the steps described in section 13.0. The Crystalight gas media can be brushed with a soft brush and/or a vacuum cleaner with a brush fitted.

15.2 If optional ceramic pebbles have been supplied, they should not be handled if hot or wet. Wet pebbles can be dried out by normal use of the fireplace.

15.3 Periodically the pilot and burner(s) should be checked visually for carbon, soot build-up and garden debris, a consistent flame and clean burning. These items can be brushed with a soft brush and/or a vacuum cleaner with a brush fitted.

15.4 Cleaning of the burner(s) and any soft ceramic pebbles can be carried out using a brush and a dry cloth and should be done at least annually. This will remove carbon or soot build-up and any garden debris.

15.5 DO NOT JETWASH THIS PRODUCT - to do so will invalidate the warranty.

NOTE: All gas appliances should be inspected at least annually by a competent person.

On the UK mainland, contact us for service:

UK Mainland (Call Max) 07904 334619

In Ireland (Call Norman)
North (+44) 7980 983708
South (+353) 1 4854325

info@urbanfires.co.uk

16.00 Fault finding

Operating errors can be rectified by the User by following the User Instructions and suggestions below.

Operating faults may have to be diagnosed and rectified by a qualified gas engineer. If the burner assembly requires to be disconnected from the gas supply, always use a qualified engineer.

IF THE FIRE 'WON'T LIGHT' – first ensure the gas and electrical supplies are switched ON and any batteries (burner or remote handset) have a full charge:

(A) If the PILOT FLAME will not light:

1. When operating the handset (Section 14.0) do you hear a constant clicking sound at the pilot location?

If not, check that there is 6V & 1200mA available from the transformer, using a multimeter. If no voltage, check the 240V supply, consumer unit – or replace the transformer. Alternatively, test the transformer by disconnecting it from the black plastic control box (Receiver Unit – see Section 2.1) fit 4 x AA batteries and test the ignition sequence again. DO NOT use batteries and a working transformer together.

2. If you can hear clicking, but the pilot doesn't light:

Has the installer purged the gas supply? There may be air in the gas line. Check that a piece of Crystalight or garden debris is not obstructing the pilot flame.

3. When correctly operating the handset for a second or third time, have you waited a few seconds before attempting re-ignition?

A safety system will not allow ignition immediately. Wait at least 60-120 seconds between lighting attempts.

4. If you cannot hear the ignition clicking when correctly operating the handset, can you hear the motorised gas valve re-setting? If not, you can reset the ignition process, electronic controls and motorised gas valve by turning off the 240V supply, waiting 30 seconds & switching on the 240V supply again (or an INSTALLER can reset the Receiver Unit having disassembled the control box).

5. If you can hear the ignition process, is the pilot alight, but can't be seen due to direct sunlight?

CAREFULLY feel for warmth from the pilot flame by holding your hand well above the pilot device.

6. If the pilot flame lights, but does not stay alight:

Check that a piece of Crystalight gas media or garden debris is not obstructing the pilot flame. INSTALLERS ONLY: Check the pilot flame is impinging on the thermocouple. Check the thermocouple is hand-tight plus a quarter turn on the gas valve. An engineer can verify the electrical output of the thermocouple.

7. If the pilot flame lights, but the MAIN BURNER does not:

Does the pilot extinguish when the main burner lights?

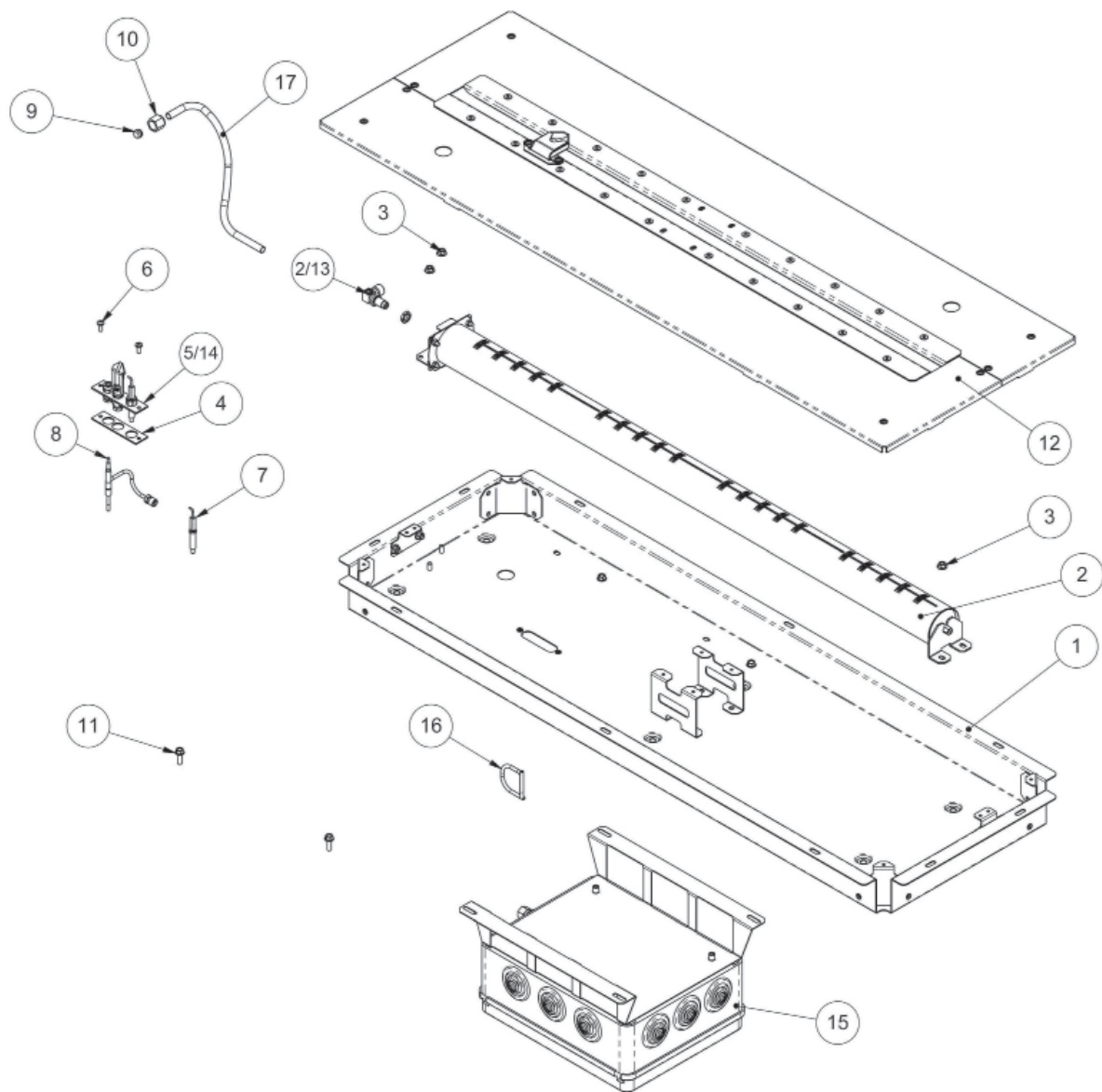
If yes, can you hear the gas valve resetting? You can reset the electronic controls and motorised gas valve by turning off the 240V supply, waiting 30 seconds and switching on the 240V supply again. INSTALLER Have you checked operating & burner pressures? See 1.2 Technical Data for the correct settings.

8. If the pilot flame and main burner lights, but the main burner will not stay alight:

You can reset the electronic controls and motorised gas valve by turning off the 240V supply, waiting 30 seconds and switching on the 240V supply again. INSTALLER check the thermocouple output and connections.

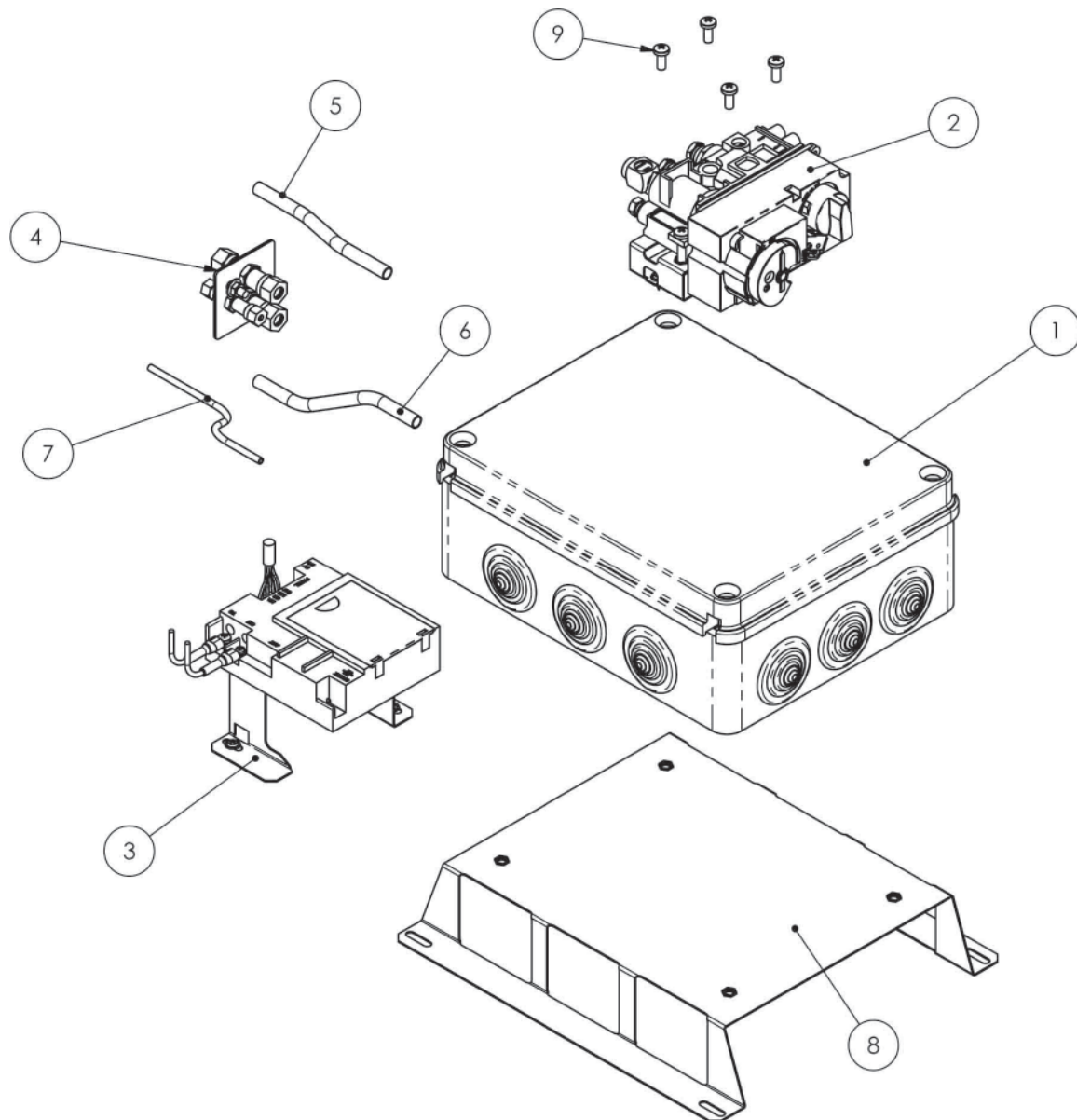
If none of the above helps, in the UK please call 0207 183 1806 or 0790 223731 before leaving site. In Ireland or mainland Europe please call the supplier. If in doubt, always consult a qualified, experienced engineer.

17.O Burner Replacement Parts



ITEM NO.	PART NUMBER	Revision	DESCRIPTION	Natural / QTY.	LPG / QTY.
1	UA10B09	A	BURNER ENCLOSURE SUB-ASSEMBLY U825B OFFSET	1	1
2	UK10825	B	BURNER TUBE KIT U825 NATURAL	1	-
3	275-535	n/a	M5 SERATTED HEX FLANGE NUT DIN 6923 ZINC PLATED	4	4
4	G30-ZPS2	A	MERTIK PILOT GASKET G30-ZPS2	1	1
5	G30-ZP2-312	n/a	TARGET PILOT ASSEMBLY MERTIK G30-ZP2-312 (INJ NG) 446.1385.24	1	-
6	FF00174	n/a	M4 x 10 Pan Hd (Cross) Machine Screw	2	2
7	G30-SPK1	n/a	SPARK ELECTRODE MERTIK G30-SPK1 (031.0633.50)	1	1
8	YG56182	n/a	THERMOCOUPLE STANDARD UN-INTERUPTED 1500mm	1	1
9	YG14681	n/a	OLIVE FOR 8mm PIPE	1	1
10	YG14181	n/a	CPR NUT 1/4 BSP FOR 8mm PIPE	1	1
11	H059-005-0016	n/a	M5 x 16 HEX HD FLANGE BOLT DIN 6921	4	4
12	UA10B54	A	GRATE ASSEMBLY U825B OFFSET	1	1
13	UK10925	B	BURNER TUBE KIT U825 LPG	-	1
14	G30-ZP2-271	n/a	TARGET PILOT ASSEMBLY MERTIK G30-ZP2-271 (INJ LPG) 446.1385.44	-	1
15	IK06100	A	GV60 WEATHER PROOF BOX ASSEMBLY	1	1
16	F4-400CC	A	4mm FLEXIBLE TUBE x 400 (F4-400CC)	1	1
17	F8-400CC	A	8mm FLEXIBLE TUBE x 400 LG (F8-400CC)	1	1

18.O Control Box replacement parts



ITEM NO.	PART NUMBER	Revision	DESCRIPTION	URBAN QTY.	SURPRISE QTY.
1	GW44008	A	IP55 BOX ASSEMBLY GEWISS GW44008	1	1
2	IK06771	A	GV60 MOUNT ASSEMBLY WPB	1	1
3	IA06008	B	RECEIVER MOUNT SUB-ASSEMBLY WPB	1	1
4	IA06108	A	BULKHEAD FLANGE SUB-ASSEMBLY WPB	1	1
5	IG06181	A	INLET BUNDY WPB	1	1
6	IG06281	A	OUTLET BUNDY WPB	1	1
7	IG06081	A	PILOT BUNDY WPB	1	1
8	IA06208	A	SURFACE MOUNT SUB-ASSEMBLY WPB URBAN 825	1	-
9	YF00010	n/a	M5 x 12 Pan Hd (Cross) Machine Screw	4	4

19. LPG conversion kit instructions

Read in conjunction with the Installation & Users Instructions starting Page 2.

Important: The appliance shall be installed in accordance with;
The installation instructions and the Installation & Users Manual
Local gas installation regulations and The Rules in Force
BS 5440-1, BS 5871-1:2005, BS 5871-3:2005 & BS 6891 Any other relevant statutory regulations.
Must be installed by an (LPG) Registered Installer
Converting this appliance for use with G31 Propane must be done by a Registered Installer
In IE, consult document I.S. 813:1996 Domestic Gas Installations.

This appliance is set for use on Natural Gas(G20) at a supply pressure of 20mbar or Propane(G31) at a supply pressure of 37mbar and Butane (G30) at 28-30mBar

The conversion kit consists of one (1) main burner injector and one (1) pilot light jet (Fig 1)

Remove both of the top burner plates as follows. Observe the burner main injector at the LH end of the burner and the pilot light assembly with ceramic ignitor and thermocouple.

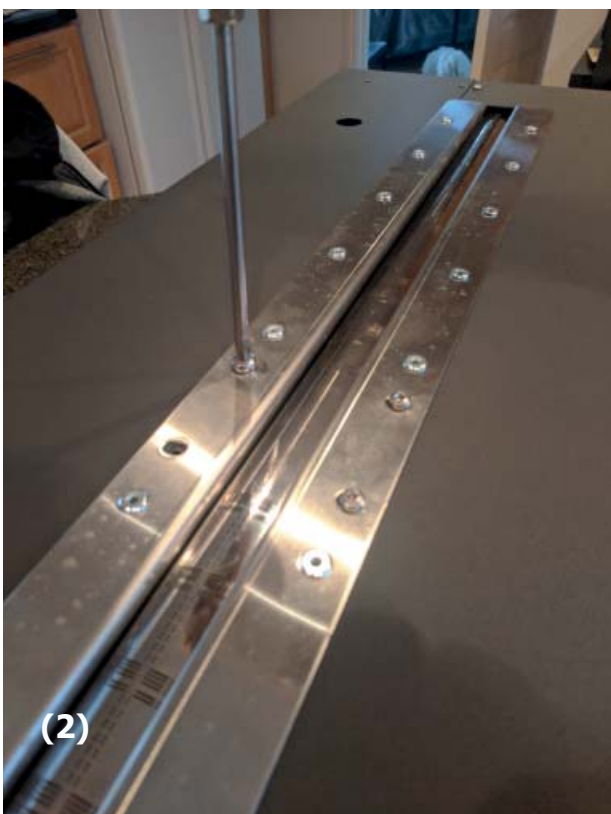


To install these jets, first remove all six screws from each of the (Fig 2) burner top plates (do not remove the pilot guard screws).

Note the screw locations, as the centre screws may be larger than the four outlying screws.

Remove both burner top plates, noting the centre bracket location.

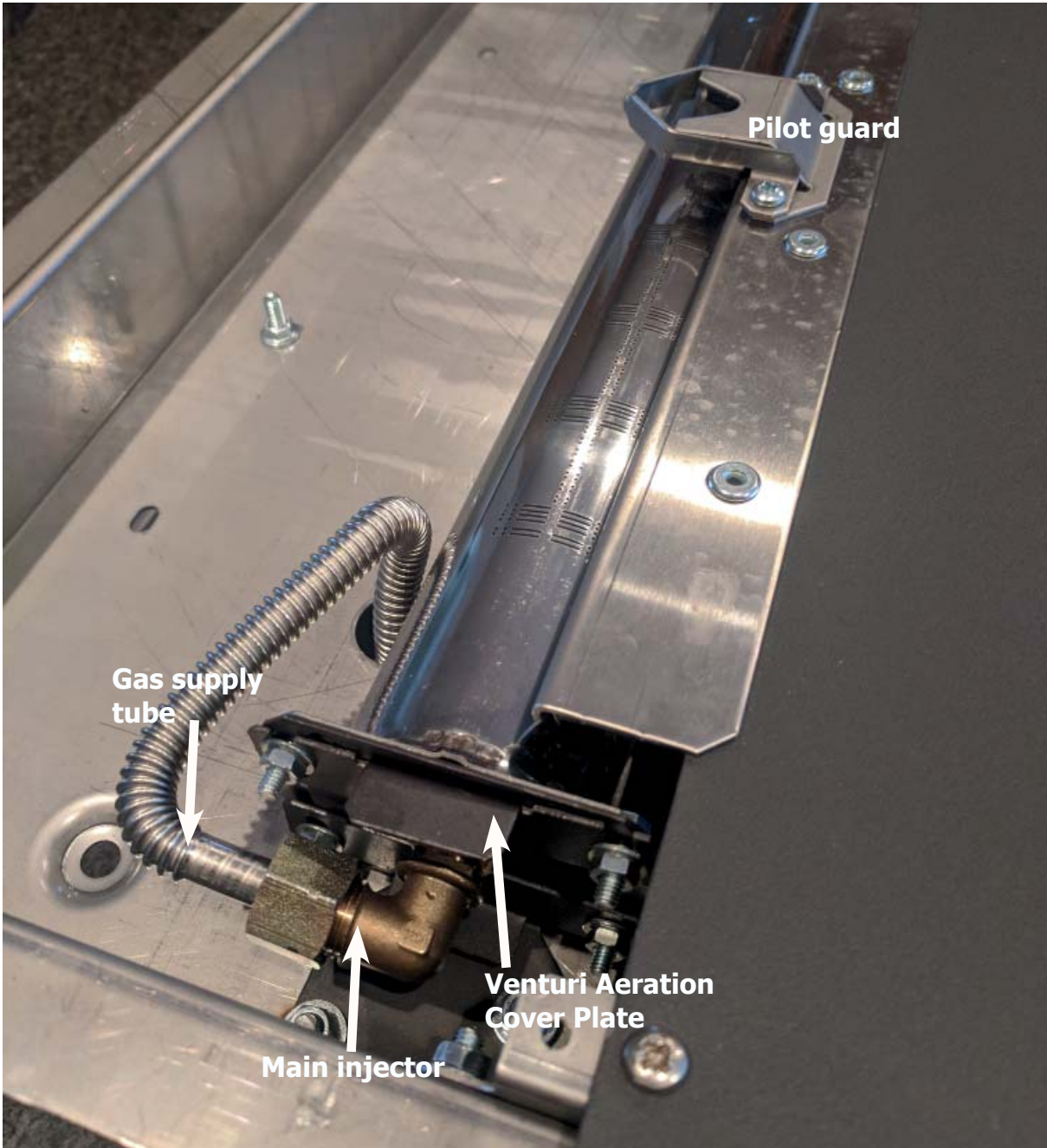
Remove the two screws (Fig 3) holding the pilot assembly in place and gently raise the assembly to gain access to the pilot jet by disconnecting the pilot gas supply.



Do not put any strain on the thermocouple or ignition lead.

Insert the LPG pilot jet and re-connect the gas supply. Replace the pilot assembly in location and tighten the retaining screws.

Observe the main burner injector at the LH end of the burner. Remove the Venturi Aeration Cover Plate above the injector (shown below). Next change the NG injector for the LPG injector by using a split 17mm ring spanner for convenience, disconnecting the gas supply tube first.



DO NOT REPLACE THE AERATION COVER PLATE

Ideally, conduct a gas leak test on the two gas supplies; main burner and pilot light.

Re-assemble the top burner plates in reverse order and replace all the screws. Change the gas type on the data badge to LPG.

Now refer back to the main Installation & User Instruction Manual (page 2) to continue installation and commissioning.